

New Product	Product Update	Product Information
Technical Information	Price Update	Marketing Information
No. 2015/17	Date June 15, 2015	Page 1/3

Important Installation and Maintenance Instructions / Improvement

Spark Plug Extension P/N 06.80.459H for CATERPILLAR® G3520C & G3600 Series Ignition Coils

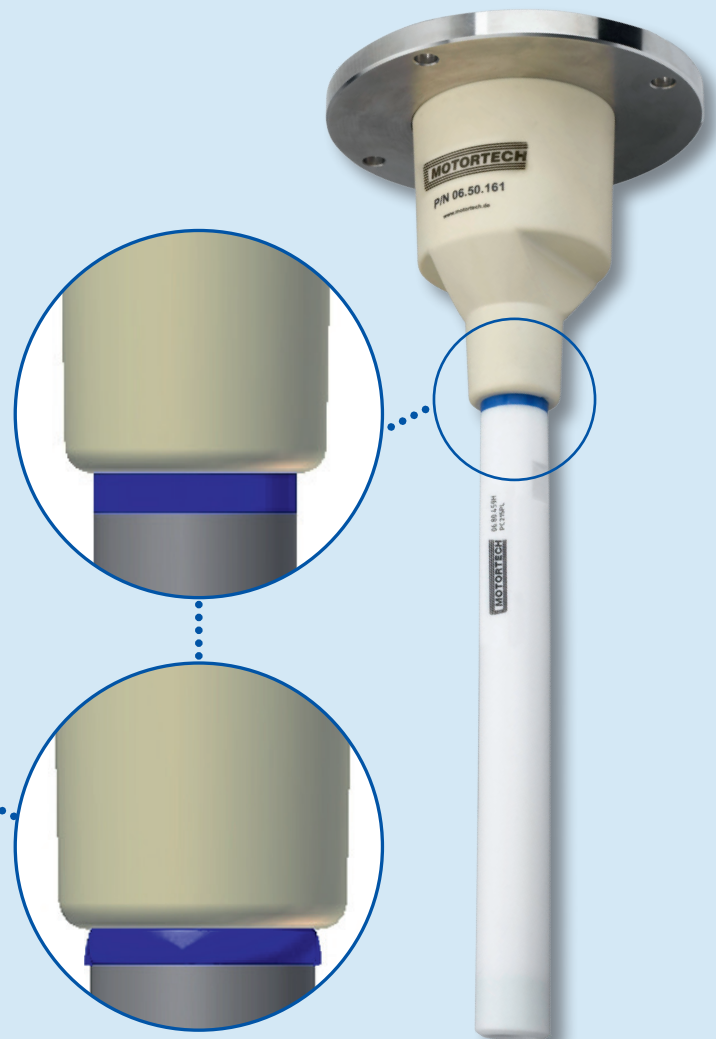
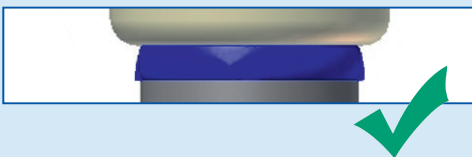
Installation

To avoid high voltage arching to ground, a proper installation of the spark plug extension is mandatory

Install the spark plug extension on the ignition coil as follows:

1. Screw the spark plug extension with the seal in place into the ignition coil until the seal lies flat between both parts.
2. Turn the extension an additional 180° (1.7 Nm / 1.25 lb-ft).

The seal is slightly deformed and guarantees perfect sealing properties.



DISTRIBUTION

Customers / others	Yes
Representatives and Sales Partners	Yes
OEM partners	Yes
MOTORTECH subsidiaries	Yes

New Product	Product Update	Product Information
Technical Information	Price Update	Marketing Information
No. 2015/17	Date June 15, 2015	Page 2/3

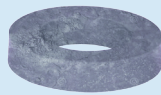
Maintenance

In order to guarantee a smooth performance and to extend service life, MOTORTECH recommends to check the spark plug extensions regularly and to replace parts if necessary.

Description	Silicone seal ring
Ordering information	P/N 06.51.124
Recommended replacement interval	2,000 operating hours
Earlier replacement required	Seal ring is discolored or porous



New Seal Ring



Replace Seal Ring

Description	Spring loaded secondary terminal
Ordering information	P/N 02.85.870
Recommended replacement interval	10,000 operating hours
Earlier replacement required	Terminal is coated with dirt or deposits



New Terminal

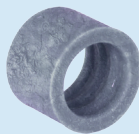


Replace Terminal

Description	Spark plug silicone seal ring
Ordering information	P/N 06.84.040
Recommended replacement interval	2,000 operating hours
Earlier replacement required	Seal ring is discolored or porous



New Seal Ring



Replace Seal Ring



DISTRIBUTION

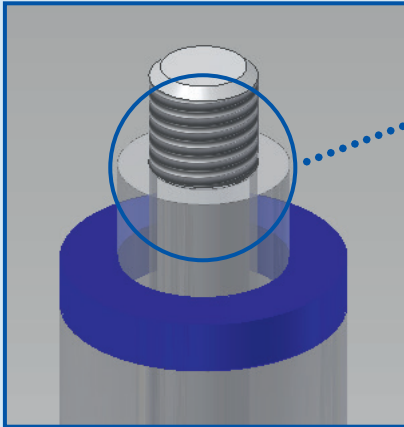
Customers / others	Yes
Representatives and Sales Partners	Yes
OEM partners	Yes
MOTORTECH subsidiaries	Yes

New Product	Product Update	Product Information
Technical Information	Price Update	Marketing Information
No. 2015/17	Date June 15, 2015	Page 3/3

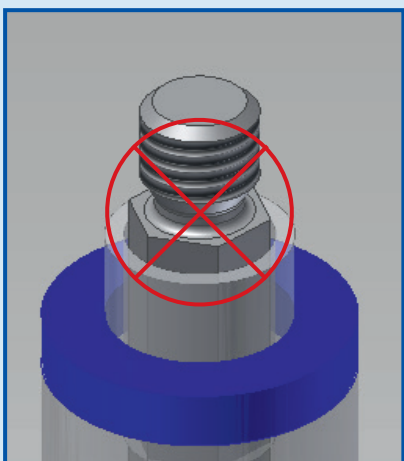
Improvement

From now on, a modified design improves flash-over resistance. The connecting rod, which connects the spark plug and the terminal, does no longer feature a hexagon below the thread.

Latest Design



Supersedes Hexed Design



DISTRIBUTION

Customers / others	Yes
Representatives and Sales Partners	Yes
OEM partners	Yes
MOTORTECH subsidiaries	Yes